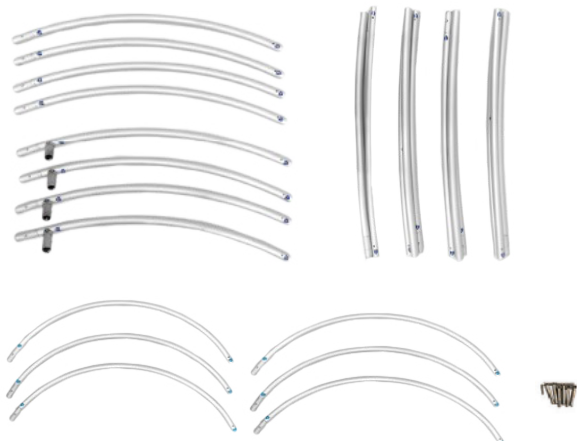


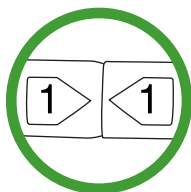
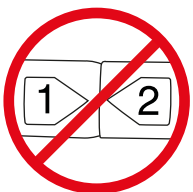
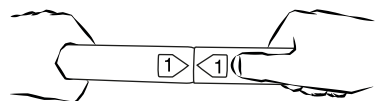
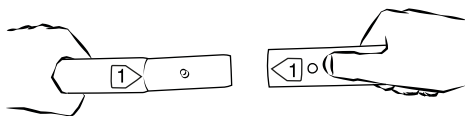
PARTS AND HARDWARE



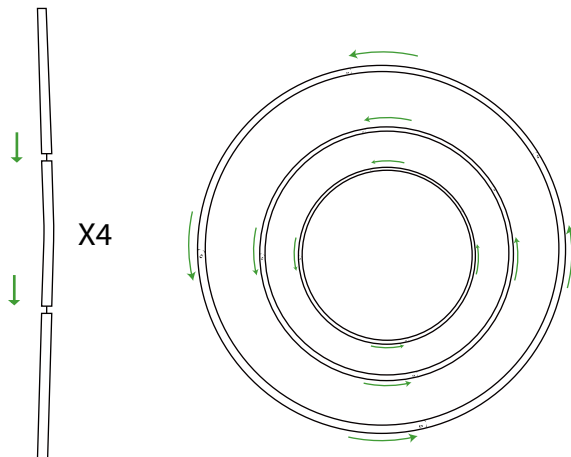
CAUTION: Before starting assembly, wear gloves to protect your hands.



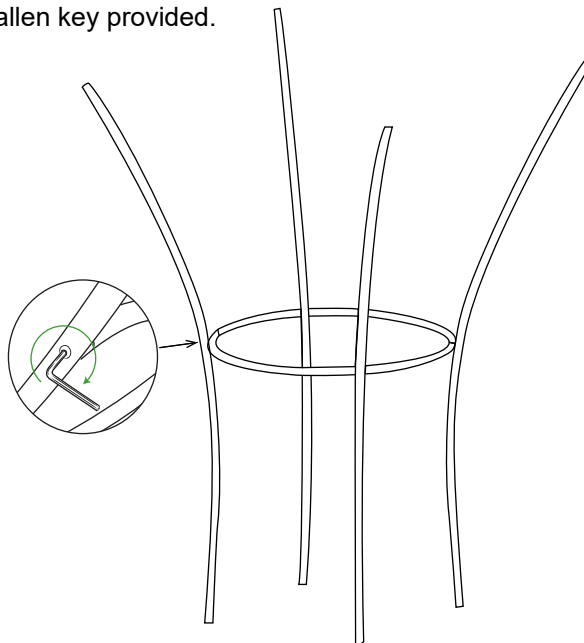
Connect tubes by matching the numbers on the ends.



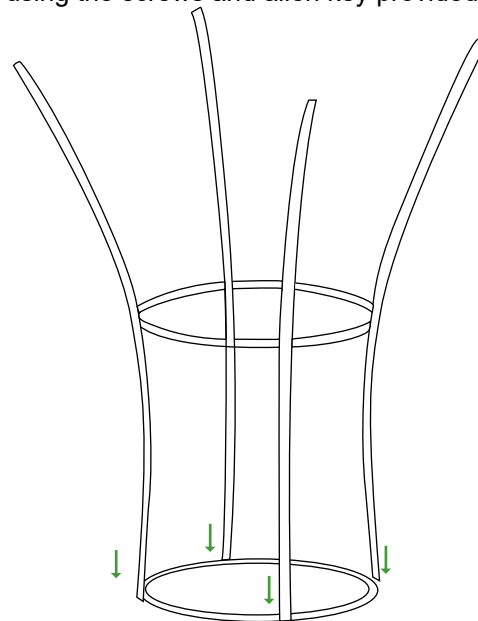
1. Snap and connect circle tubes by matching labels on the end of each tube. Connect vertical supporting tubes the same way.



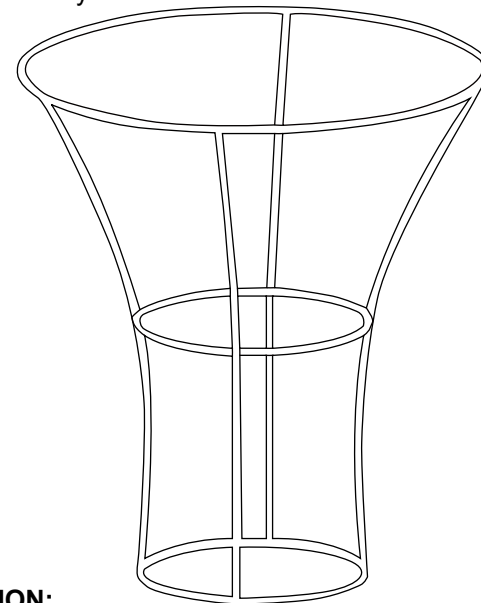
2. Connect the smallest ring to the middle of 4 supporting tubes at the middle. Use the screws and allen key provided.



3. Connect the base ring to the bottom of the vertical tubes using the screws and allen key provided.

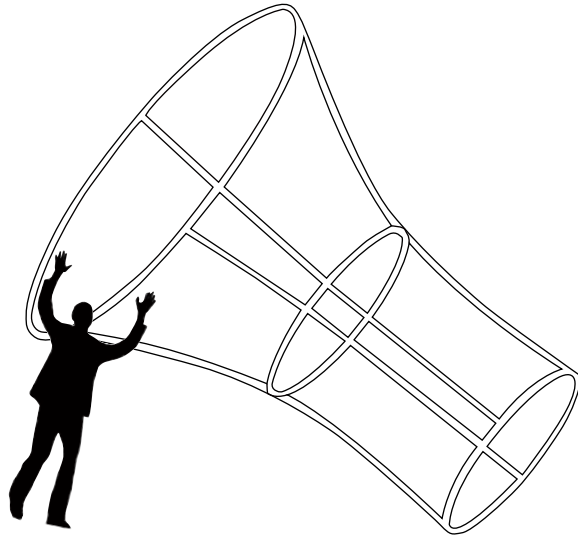


4. Connect the top ring to the top of the vertical tubes the same way.

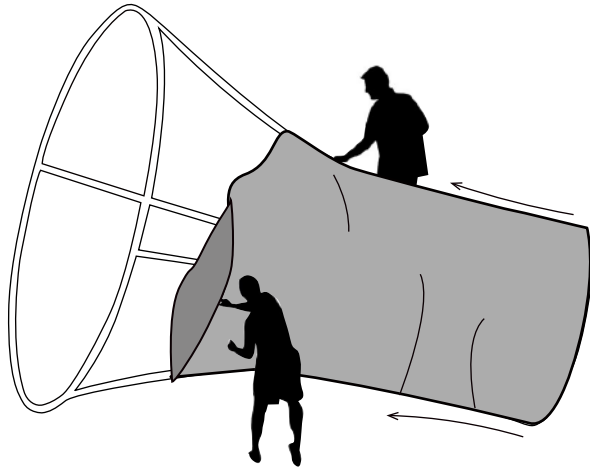


CAUTION: Be careful if use a ladder to assemble the top.

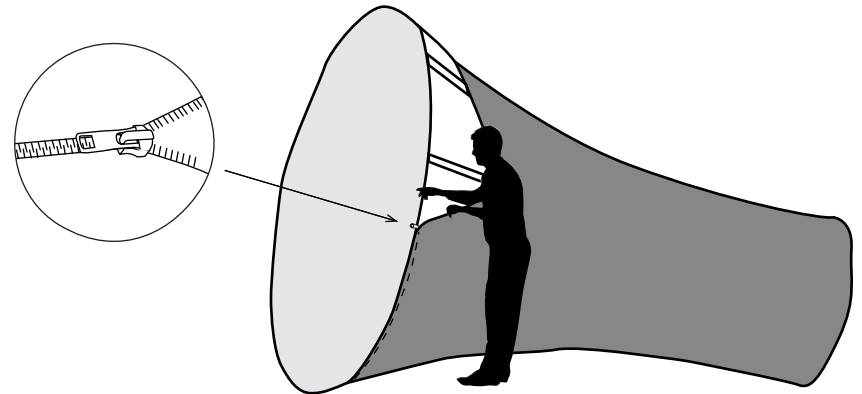
5. Carefully lay the assembled cyclone frame on its side.



6. Starting at the bottom of the frame. Slide the fabric to cover the whole frame from bottom to top.



7. Zip the fabric along the tubes at the top of the cyclone display. Stretch out the fabric if any wrinkle shows.



8. Carefully stand the assembled frame to its upright position. The assembly is finished.



Scan QR code to visit the product page:

